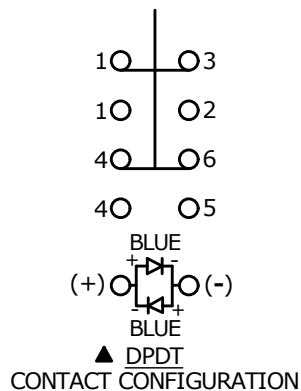


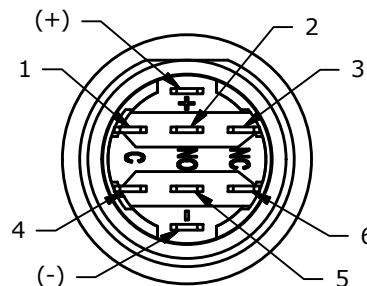
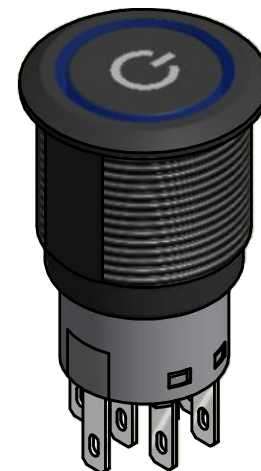
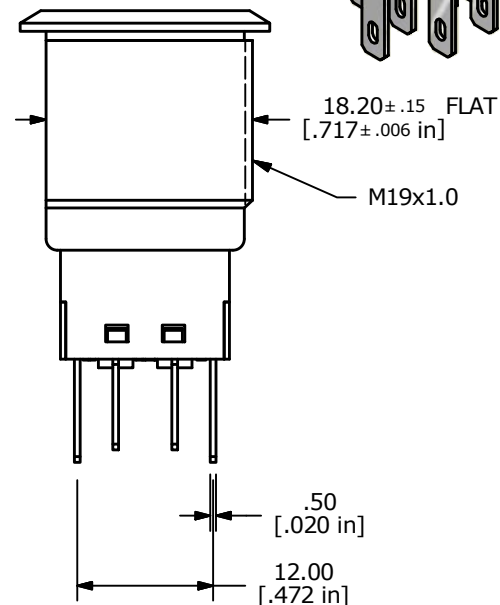
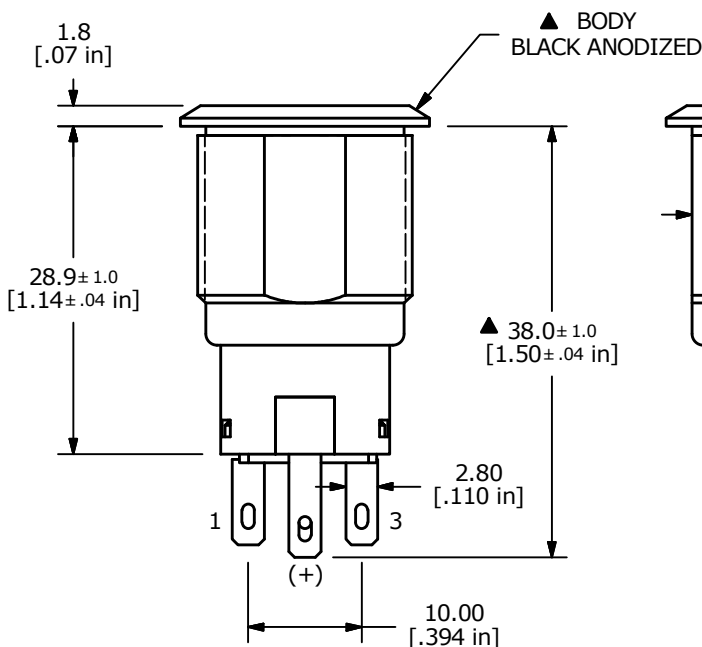
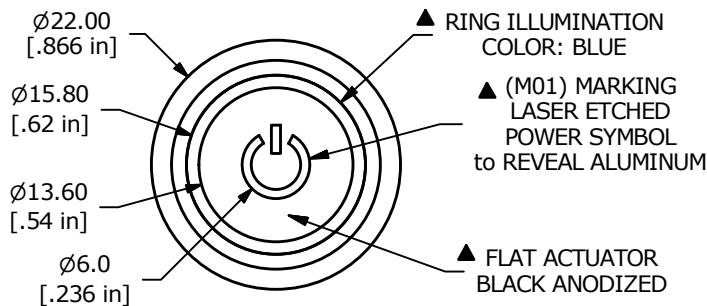
Recommended PANEL CUTOUT
MAX. PANEL THICKNESS
11.0mm [.433]

SWITCH FUNCTION	
POS. 1	POS. 2
ON	(ON)
1-3, 4-6	(1-2, 4-5)

() = MOMENTARY



- NOTE:
- ALL DIMENSIONS IN mm [INCH]
 - GENERAL TOLERANCE: X.X = ±0.4
X.XX = ±0.25
 - TERMINAL NUMBERS FOR REF ONLY
 - CONTACT MATERIAL: GOLD
 - RATING: 2A 24VDC
 - ELECTRIC LIFE: 50,000 MAKE-AND-BREAK CYCLES AT FULL LOAD.
 - INSULATION RESISTANCE: 1,000 MΩ MIN.
 - DIELECTRIC STRENGTH: 2,000 VAC MIN. FOR 1 MINUTE
 - CONTACT RESISTANCE: 50mΩ MAX. @ 1A 12VDC
 - OPERATING TEMP.: -20°C to 55°C
 - TRAVEL: 2.8mm
 - ▲ DENOTES CRITICAL PARAMETER.
 - INGRESS PROTECTION: IP65
 - ▲14. HARDWARE SUPPLIED: O-RING AND HEXNUT
 - ▲15. LAMP VOLTAGE: 2.8V



B	22491	Drawing Updates	9/16/16	MW
A	21964	Release FOR PRODUCTION	8/25/15	MW
REV	PCR NO	DESCRIPTION	DATE	BY

TITLE PV4F2H011G-341-M01				
SCALE 3:2	DATE 8/25/2015	DR MW	DWG 52-PV4S00246	REV B

THE INFORMATION CONTAINED IN THIS DOCUMENT IS PROPRIETARY TO E-SWITCH AND IS NOT TO BE COPIED OR TRANSFERRED